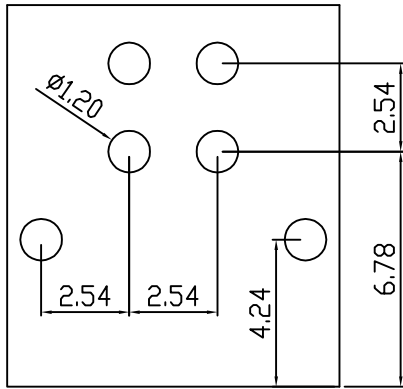
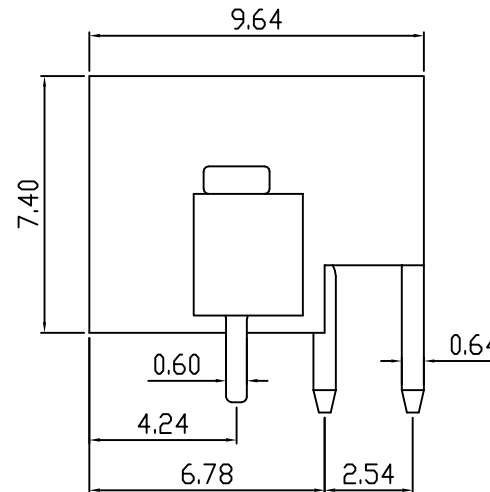
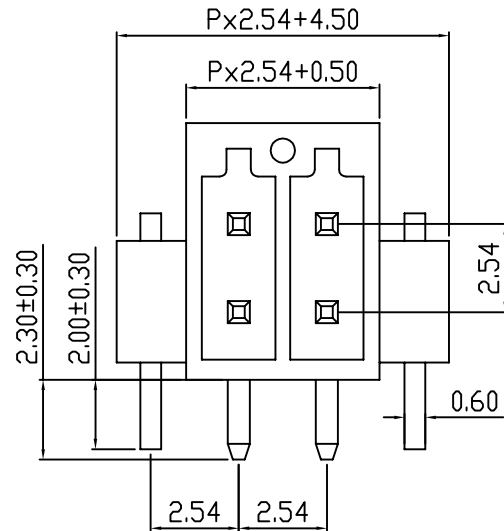
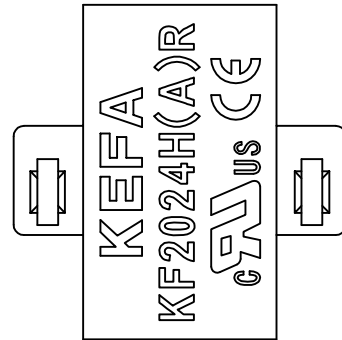


linear dimension(Tolerances Standard GB/T 14486-2008)								—		
variable range	to 6	over 6 to 10	over 10 to 30	over 30 to 60	over 60 to 100	over 100 to 160	over 160 to	to 10	over 10 to 100	over 100 to
tolerance	±0.20	±0.30	±0.50	±0.70	±1.00	±1.30	±1.60	0.10	0.30	0.60



PCB Layout



REVISION RECORD				
REV.	DESCRIPTION	ECN No.	APPROVED	DATE
A	新发行		CLF	21.11.15

UL/CUL 技术参数 UL/CUL Technical Data							
等级	Use Group	B	C	D			
额定电压	Rated Voltage [V]	150	-	-			
额定电流	Rated Current [A]	5	-	-			
接线范围	Wire Range						
单/多芯线	Solid/Stranded [AWG]				-		
耐电压	Withstanding Voltage				1300V/1Min		
IEC 技术参数 IEC Technical Data							
过电压类别	Overvoltage Category	III	III	II			
污染等级	Contamination Class	3	2	2			
额定电压	Rated Voltage [V]	32	160	160			
额定电流	Rated Current [A]	6	6	6			
额定冲击电压	Impulse withstand voltagea [KV]	2.5	2.5	2.5			
导线截面积	Conductor cross section						
硬质/柔性导线	Solid/flexible [mm ²]				-		
材料 Material							
绝缘材料	Insulation Material				PA46		
阻燃等级	Inflammability				UL94V-0		
导体材料	Contacting Material				铜合金 Copper alloy		
导体表面镀层	Contactive Coating				镀锡 Tin Plated		
一般参数 Other Data							
间距	Pitch [mm]				2.54		
极数	Poles [P]				02、03		
剥线长度	Stripping Length [mm]				-		
螺丝	Screw/扭矩 Torque(Max) [N.m]				-		
工作温度	Operating temperatur [°C]				-40~+105		
引脚尺寸	Pin Dimensions [mm]				2.3		
PCB板孔径	PCB Hole Diameter [mm]				1.2		

DES.	SJD	DATE	21.11.15
CHK.	BY	DATE	21.11.15
APP.	CLF	DATE	21.11.15

单位/UNITS	mm	尺寸/SIZE	A4	比例/SCALE	1:1
慈溪市科发电子有限公司 CIXI KEFA ELECTRONIC CO., LTD					

第三视角/THIRD ANGLE PROJECTION		版本/REV	A
		名称/TITLE	KF2024HAR-2.54