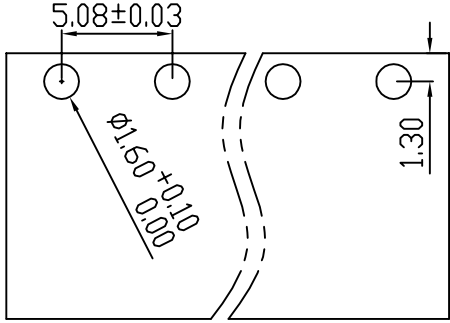
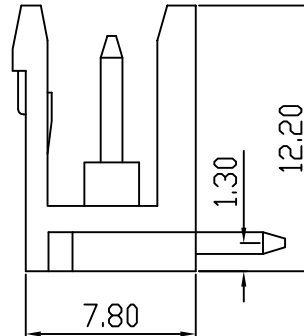
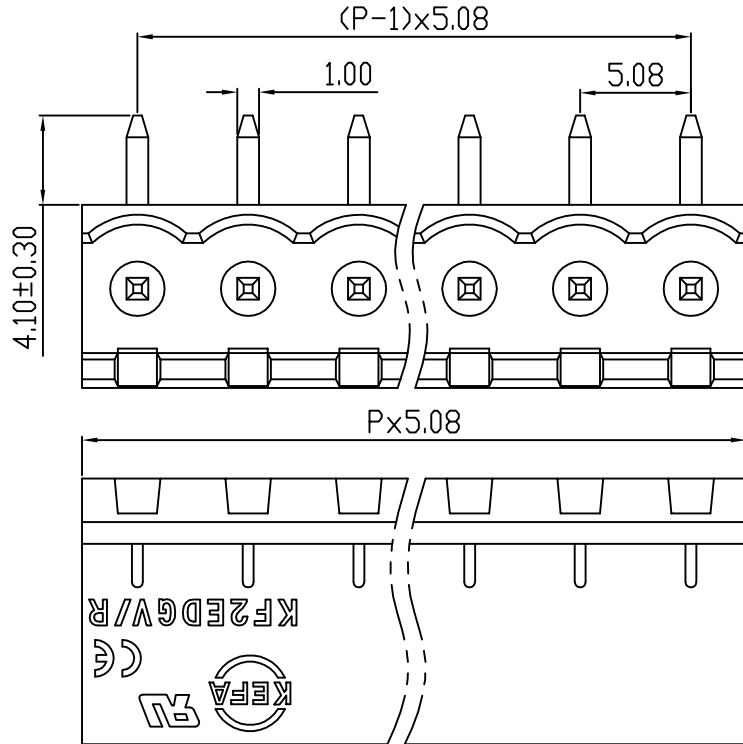


|   |       |              |               |               |                |                 |             |       |                |             |
|---|-------|--------------|---------------|---------------|----------------|-----------------|-------------|-------|----------------|-------------|
| linear dimension(Tolerances Standard GB/T 14486-2008) |       |              |               |               |                |                 |             | —     |                |             |
| variable range  | to 6  | over 6 to 10 | over 10 to 30 | over 30 to 60 | over 60 to 100 | over 100 to 160 | over 160 to | to 10 | over 10 to 100 | over 100 to |
| tolerance   | ±0.20 | ±0.30        | ±0.50         | ±0.70         | ±1.00          | ±1.30           | ±1.60       | 0.10  | 0.30           | 0.60        |



PCB LAYOUT



| REVISION RECORD |             |         |          |          |
|-----------------|-------------|---------|----------|----------|
| REV.            | DESCRIPTION | ECN No. | APPROVED | DATE     |
| A               | 新发行         |         | GLF      | 21.11.09 |
|                 |             |         |          |          |
|                 |             |         |          |          |

|   |  |                  |     |     |  |  |
|---|--|------------------|-----|-----|--|--|
| UL/CUL 技术参数<br>UL/CUL Technical Data                          |  |                  |     |     |  |  |
| 等级 Use Group  |  | B                | C   | D   |  |  |
| 额定电压 Rated Voltage [V]  |  | 300              | -   | 300 |  |  |
| 额定电流 Rated Current [A]  |  | 10               | -   | 10  |  |  |
| 接线范围 Wire Range<br>单/多芯线 Solid/Stranded [AWG]                 |  | -                |     |     |  |  |
| 耐电压 Withstanding Voltage                                      |  | 1600V/1Min       |     |     |  |  |
| IEC 技术参数<br>IEC Technical Data                                |  |                  |     |     |  |  |
| 过电压类别 Overvoltage Category                                    |  | III              | III | II  |  |  |
| 污染等级 Contamination Class                                      |  | 3                | 2   | 2   |  |  |
| 额定电压 Rated Voltage [V]  |  | -                | 320 | 630 |  |  |
| 额定电流 Rated Current [A]  |  | -                | 15  | 15  |  |  |
| 额定冲击电压 Impulse withstand voltagea [KV]                        |  | -                | 4.0 | 4.0 |  |  |
| 导线截面积 Conductor cross section<br>硬质/柔性导线 Solid/flexible [mm²] |  | -                |     |     |  |  |
| 材料 Material   |  |                  |     |     |  |  |
| 绝缘材料 Insulation Material                                      |  | PA66             |     |     |  |  |
| 阻燃等级 Imflammability   |  | UL94V-0          |     |     |  |  |
| 导体材料 Contactor Material                                       |  | 铜合金 Copper alloy |     |     |  |  |
| 导体表面镀层 Contactive Coating                                     |  | 镀锡 Tin Plated    |     |     |  |  |
| 一般参数 Other Data   |  |                  |     |     |  |  |
| 间距 Pitch [mm]   |  | 5.08             |     |     |  |  |
| 极数 Poles [P]  |  | 2-24             |     |     |  |  |
| 剥线长度 Stripping Length [mm]                                    |  | -                |     |     |  |  |
| 螺丝 Screw/扭矩 Torque(Max) [N.m]                                 |  | -                |     |     |  |  |
| 工作温度 Operating temperatur [°C]                                |  | -40~+105         |     |     |  |  |
| 引针尺寸 Pin Dimensions [mm]                                      |  | 4.1              |     |     |  |  |
| PCB板孔径 PCB Hole Diameter [mm]                                 |  | 1.6              |     |     |  |  |

|      |     |      |          |  |    |         |    |          |              |                             |        |   |
|------|-----|------|----------|--|----|---------|----|----------|--------------|-----------------------------|--------|---|
| DES. | LQQ | DATE | 21.11.09 | 单位/UNITS                                     | mm | 尺寸/SIZE | A4 | 比例/SCALE | 1:1          | 第三视角/THIRD ANGLE PROJECTION | 版本/REV | A |
| CHK. | BY  | DATE | 21.11.09 | 慈溪市科发电子有限公司<br>CIXI KEFA ELECTRONIC CO., LTD |    |         |    | 名称/TITLE | KF2EDGR-5.08 |                             |        |   |
| APP. | CLF | DATE | 21.11.09 |  |    |         |    |          |              |                             |        |   |